



www.ibkasansor.com

“Yüzlerce Ürün Tek Güvence”

“Hundreds of products with one warranty”



Ü R Ü N K A T A L O Ğ U

PRODUCT CATALOG

İBK ASANSÖR

İNŞAAT SAN. TİC. LTD. ŞTİ.

“Yüzlerce Ürün Tek Güvence”

“Hundreds of products with one warranty”



HAKKIMIZDA

2006 yılında kurulan firmamız paket asansör ve ekipmanları satışı yapan, Türkiye'nin önde gelen lider firmalarındandır. Yurt içinde geniş bir hizmet yelpazesi oluşturan firmamız, müşterilerinden aldığı güvenle son yıllarda ihracat yaparak bu yelpazesini yurtdışında da genişletmiştir.

Firmamız , kabin, kontrol sistemleri, yarı ve tam otomatik kapı, süspansiyon ve şase üretmektedir. Ürünlerimizi TSE ve Avrupa Standartlarına (CE) göre üretmekte ve belgelendirmekteyiz. Firmamız yüksek kalite ve zamanında teslimat prensibi ile çalışarak birçok yerli ve yabancı markanın satışını yapmaktadır.

Ülkemizde ve dünyadaki gelişmeleri sürekli takip eden genç ve dinamik kadromuz ile teknolojik gelişimi ve yeniliği hedefleyen firmamız, müşteri odaklı hizmet anlayışı ile geçmişin ışığı altında geleceğe sağlam adımlar atarak sektörde yerini almaya devam edecektir.

ABOUT US

Our company was founded in 2006. Today it is one of the leading companies in Turkey selling elevator systems and equipment. Our company, which creates a wide range of services in Turkey, expanded the geography of sales to foreign countries in recent years by exporting. This has become possible thanks to the trust of customers. Our company produces cabins, control systems, semi-automatic and fully automatic doors, suspension and chassis. We produce and certify our products according to Turkish Standards Institution (TSE) and European Standards (CE).

Our company works on the principle of high quality and timely delivery. We offer domestic and foreign brands. Our company is committed to technological development and innovation with our young and dynamic team, who constantly follow Turkey and world development. We will continue to take our place in this sector with our customer-centric approach, confidently step into the future, drawing on previous experience.



İBK ASANSÖR
İNŞAAT SAN. TİC. LTD. ŞTİ.



DEKORATİF DOĞALTAŞ FÜME PASLANMAZ KABİN

SMOKE STAINLESS CABIN WITH DECORATIVE NATURAL STONE



ÜRÜN ÖZELLİKLERİ PRODUCT FEATURES



DUVARLAR · PANELS
GALVENİZLİ SAC
GALVANIZED SHEET

İÇ KAPLAMA · INTERIOR FINISH
FÜME PASLANMAZ DOĞAL HASIRTAŞ
SMOKE STAINLESS NATURAL MAT STONE

AYNA · MIRROR
SÜPER AYNA PASLANMAZ
SUPER MIRROR FINISH STAINLESS STEEL

KÜPEŞTE · HANDRAIL
KROM PASLANMAZ
CHROME STAINLESS

ZEMİN KAPLAMA · FLOORING
GRANİT
GRANITE

AKSESUARLAR · ACCESSORIES
SÜPER AYNA PASLANMAZ
SUPER MIRROR FINISH STAINLESS STEEL

TAVAN · CEILING
CNC LAZER KESİM · CNC LASER CUTTING
SPOT AYDINLATMA · SPOT LIGHTING

GOLD FÜME PASLANMAZ KABİN

SMOKE GOLD STAINLESS CABIN



ÜRÜN ÖZELLİKLERİ

PRODUCT FEATURES



DUVARLAR · PANELS
GALVENİZLİ SAC
GALVANIZED SHEET

İÇ KAPLAMA · INTERIOR FINISH
FÜME-GOLD PASLANMAZ
SMOKE GOLD STAINLESS

AYNA · MIRROR
SÜPER AYNA PASLANMAZ
SUPER MIRROR FINISH STAINLESS STEEL

KÜPEŞTE · HANDRAIL
KROM PASLANMAZ
CHROME STAINLESS

ZEMİN KAPLAMA · FLOORING
SİYAH CAM · *BLACK GLASS*

AKSESUARLAR · ACCESSORIES
FÜME AYNA PASLANMAZ
SMOKE MIRROR FINISH STAINLESS STEEL

TAVAN · CEILING
CNC LAZER KESİM · *CNC LASER CUTTING*
SPOT AYDINLATMA · *SPOT LIGHTING*



DEKORATİF DOĞALTAŞ GOLD PASLANMAZ KABİN

GOLD STAINLESS CABIN WITH DECORATIVE NATURAL STONE



ÜRÜN ÖZELLİKLERİ PRODUCT FEATURES



DUVARLAR · PANELS
GALVENİZLİ SAC
GALVANIZED SHEET

İÇ KAPLAMA · INTERIOR FINISH
HASIR DOĞALTAŞ
NATURAL MAT STONE

AYNA · MIRROR
SÜPER AYNA PASLANMAZ
SUPER MIRROR FINISH STAINLESS STEEL

KÜPEŞTE · HANDRAIL
KROM PASLANMAZ
CHROME STAINLESS

ZEMİN KAPLAMA · FLOORING
DESENLİ SPEK
PATTERNED SPEK

AKSESUARLAR · ACCESSORIES
GOLD AYNA PASLANMAZ
GOLD MIRROR FINISH STAINLESS STEEL

TAVAN · CEILING
CNC LAZER KESİM · CNC LASER CUTTING
SPOT AYDINLATMA · SPOT LIGHTING

VIP GOLD BLACK PASLANMAZ KABİN

VIP GOLD BLACK STAINLESS CABIN



ÜRÜN ÖZELLİKLERİ

PRODUCT FEATURES



DUVARLAR · PANELS
GALVENİZLİ SAC
GALVANIZED SHEET

İÇ KAPLAMA · INTERIOR FINISH
FÜME - GOLD PASLANMAZ
SMOKE GOLD STAINLESS

AYNA · MIRROR
SÜPER AYNA GOLD PASLANMAZ
SUPER MIRROR FINISH STAINLESS STEEL

KÜPESTE · HANDRAIL
KROM PASLANMAZ
CHROME STAINLESS

ZEMİN KAPLAMA · FLOORING
GRANİT · GRANITE

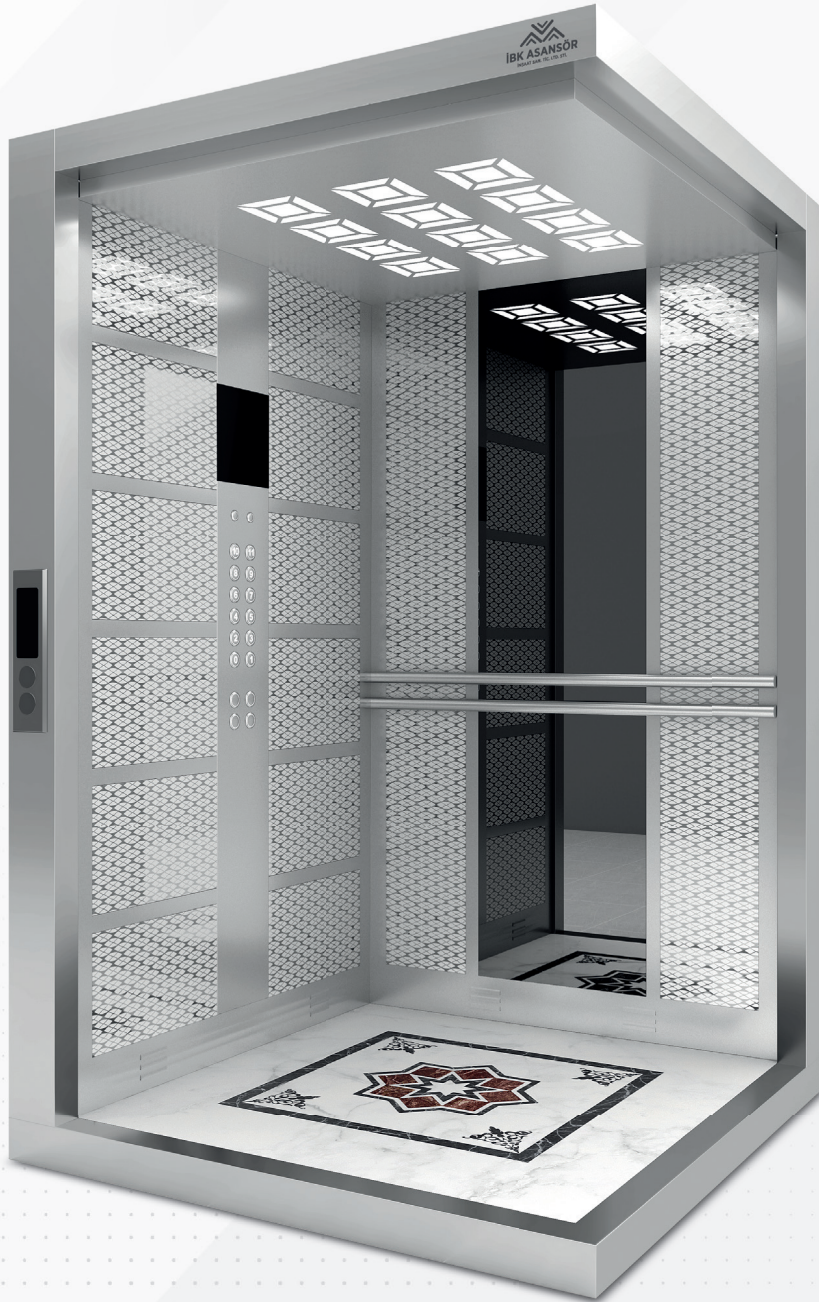
AKSESUARLAR · ACCESSORIES
GOLD AYNA PASLANMAZ
GOLD MIRROR FINISH STAINLESS STEEL

TAVAN · CEILING
CNC LAZER KESİM · CNC LASER CUTTING
SPOT AYDINLATMA · SPOT LIGHTING



DEKORATİF PASLANMAZ KABİN

DECORATIVE STAINLESS CABIN



ÜRÜN ÖZELLİKLERİ PRODUCT FEATURES



DUVARLAR · PANELS
GALVENİZLİ SAC
GALVANIZED SHEET

İÇ KAPLAMA · INTERIOR FINISH
DEKORATİF PASLANMAZ
DECORATIVE STAINLESS

AYNA · MIRROR
SÜPER AYNA PASLANMAZ
SUPER MIRROR FINISH STAINLESS STEEL

KÜPEŞTE · HANDRAIL
KROM PASLANMAZ
CHROME STAINLESS

ZEMİN KAPLAMA · FLOORING
DESENLİ SPEK
PATTERNED SPEK

AKSESUARLAR · ACCESSORIES
SÜPER AYNA PASLANMAZ
SUPER MIRROR FINISH STAINLESS STEEL

TAVAN · CEILING
CNC LAZER KESİM · CNC LASER CUTTING
SPOT AYDINLATMA · SPOT LIGHTING

RENKLİ CAM GOLD PASLANMAZ KABİN

GOLD STAINLESS CABIN WITH COLORED GLASS



ÜRÜN ÖZELLİKLERİ PRODUCT FEATURES



DUVARLAR · PANELS
GALVENİZLİ SAC
GALVANIZED SHEET

İÇ KAPLAMA · INTERIOR FINISH
SİYAH CAM · BLACK GLASS

AYNA · MIRROR
SÜPER AYNA PASLANMAZ
SUPER MIRROR FINISH STAINLESS STEEL

KÜPEŞTE · HANDRAIL
KROM PASLANMAZ
CHROME STAINLESS

ZEMİN KAPLAMA · FLOORING
DESENLİ SPEK · PATTERNED SPEK

AKSESUARLAR · ACCESSORIES
GOLD AYNA PASLANMAZ
GOLD MIRROR FINISH STAINLESS STEEL

TAVAN · CEILING
CNC LAZER KESİM · CNC LASER CUTTING
SPOT AYDINLATMA · SPOT LIGHTING



RENKLİ CAM SATİNE PASLANMAZ KABİN

SATINE STAINLESS CABIN WITH COLORED GLASS



ÜRÜN ÖZELLİKLERİ

PRODUCT FEATURES



DUVARLAR · PANELS
GALVENİZLİ SAC
GALVANIZED SHEET

İÇ KAPLAMA · INTERIOR FINISH
RENKLİ CAM · COLORED GLASS

AYNA · MIRROR
SÜPER AYNA PASLANMAZ
SUPER MIRROR FINISH STAINLESS STEEL

KÜPEŞTE · HANDRAIL
KROM PASLANMAZ
CHROME STAINLESS

ZEMİN KAPLAMA · FLOORING
DESENLİ SPEK · PATTERNED SPEK

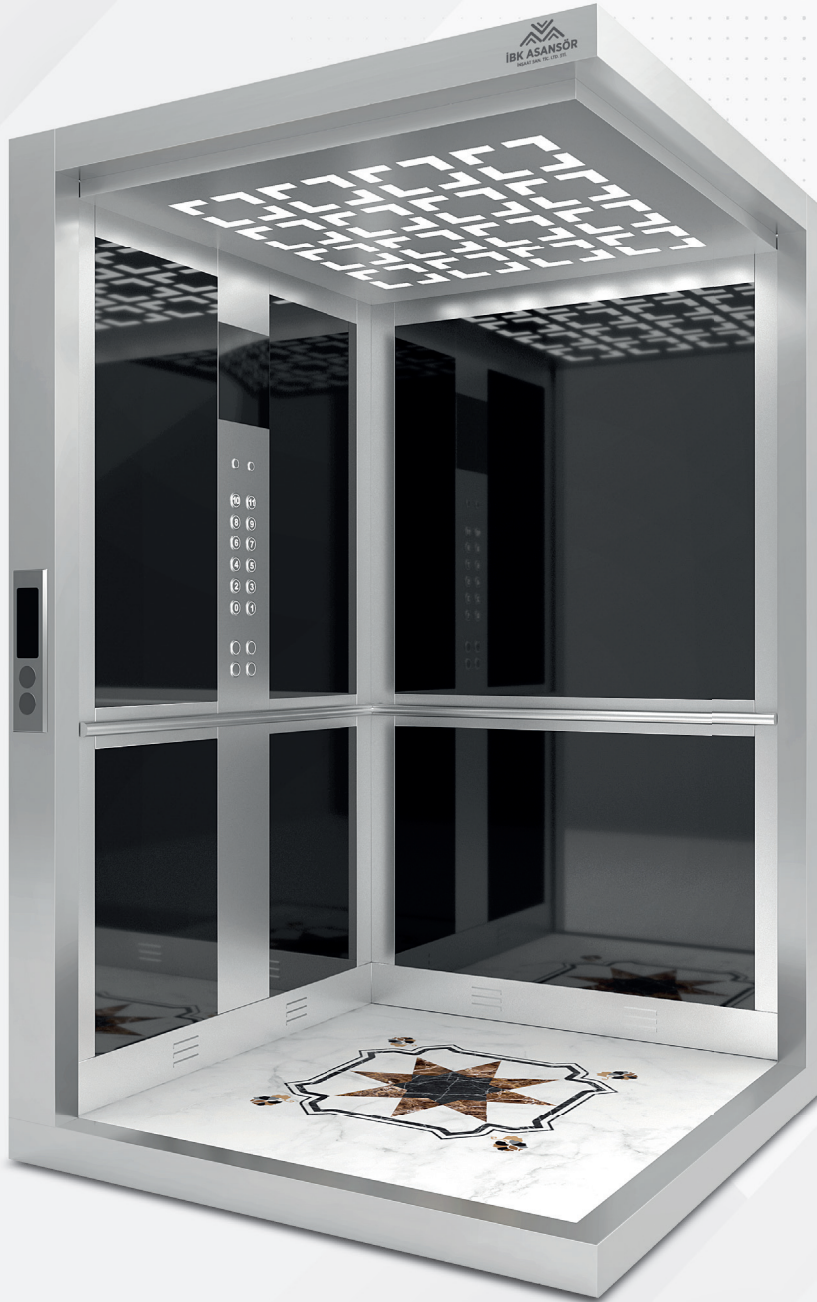
AKSESUARLAR · ACCESSORIES
SÜPER AYNA PASLANMAZ
SUPER MIRROR FINISH STAINLESS STEEL

TAVAN · CEILING
CNC LAZER KESİM · CNC LASER CUTTING
SPOT AYDINLATMA · SPOT LIGHTING

RENKLİ CAM SATİNE PASLANMAZ KABİN

SATINE STAINLESS CABIN WITH COLORED GLASS

11



ÜRÜN ÖZELLİKLERİ

PRODUCT FEATURES



DUVARLAR · PANELS
GALVENİZLİ SAC
GALVANIZED SHEET

İÇ KAPLAMA · INTERIOR FINISH
RENKLİ CAM · COLORED GLASS

AYNA · MIRROR
SÜPER AYNA PASLANMAZ
SUPER MIRROR FINISH STAINLESS STEEL

KÜPEŞTE · HANDRAIL
KROM PASLANMAZ
CHROME STAINLESS

ZEMİN KAPLAMA · FLOORING
DESENLİ SPEK · PATTERNED SPEK

AKSESUARLAR · ACCESSORIES
SATİNE PASLANMAZ
SATINE STAINLESS

TAVAN · CEILING
CNC LAZER KESİM · CNC LASER CUTTING
SPOT AYDINLATMA · SPOT LIGHTING



12

DOĞAL TAŞ CNC MDF KABİN

NATURAL STONE CNC MDF CABIN



ÜRÜN ÖZELLİKLERİ PRODUCT FEATURES



DUVARLAR · PANELS
GALVENİZLİ SAC
GALVANIZED SHEET

İÇ KAPLAMA · INTERIOR FINISH
CNC AHŞAP - DOĞALTAŞ
CNC WOOD - NATURAL STONE

AYNA · MIRROR
DEKORATİF AYNA
DECORATIVE MIRROR

KÜPEŞTE · HANDRAIL
KROM PASLANMAZ
CHROME STAINLESS

ZEMİN KAPLAMA · FLOORING
DESENLİ SPEK · PATTERNED SPEK

AKSESUARLAR · ACCESSORIES
GOLD AYNA PASLANMAZ
GOLD MIRROR FINISH STAINLESS STEEL

TAVAN · CEILING
CNC LAZER KESİM · CNC LASER CUTTING
SPOT AYDINLATMA · SPOT LIGHTING

AHŞAP / SATİNE PASLANMAZ KABİN

WOODEN / SATINE STAINLESS CABIN



ÜRÜN ÖZELLİKLERİ

PRODUCT FEATURES



DUVARLAR · PANELS
GALVENİZLİ SAC
GALVANIZED SHEET

İÇ KAPLAMA · INTERIOR FINISH
MDF - SÜPER AYNA PASLANMAZ
MDF - SUPER MIRROR FINISH STAINLESS STEEL

AYNA · MIRROR
SÜPER AYNA PASLANMAZ
SUPER MIRROR FINISH STAINLESS STEEL

KÜPESTE · HANDRAIL
KROM PASLANMAZ
CHROME STAINLESS

ZEMİN KAPLAMA · FLOORING
DESENLİ SPEK · PATTERNED SPEK

AKSESUARLAR · ACCESSORIES
SATİNE PASLANMAZ
SATINE STAINLESS

TAVAN · CEILING
CNC LAZER KESİM · CNC LASER CUTTING
SPOT AYDINLATMA · SPOT LIGHTING



ROSE DESENLİ PASLANMAZ KABİN

ROSE PATTERNED STAINLESS CABIN



ÜRÜN ÖZELLİKLERİ PRODUCT FEATURES



DUVARLAR · PANELS
GALVENİZLİ SAC
GALVANIZED SHEET

İÇ KAPLAMA · INTERIOR FINISH
DEKORATİF PASLANMAZ
DECORATIVE STAINLESS

AYNA · MIRROR
SÜPER AYNA PASLANMAZ
SUPER MIRROR FINISH STAINLESS STEEL

KÜPEŞTE · HANDRAIL
KROM PASLANMAZ
CHROME STAINLESS

ZEMİN KAPLAMA · FLOORING
DESENLİ SPEK
PATTERNED SPEKT

AKSESUARLAR · ACCESSORIES
ROSE AYNA PASLANMAZ
ROSE MIRROR FINISH STAINLESS STEEL

TAVAN · CEILING
CNC LAZER KESİM · CNC LASER CUTTING
SPOT AYDINLATMA · SPOT LIGHTING

RESMET KABİN

RESMET CABIN

15



ÜRÜN ÖZELLİKLERİ

PRODUCT FEATURES



DUVARLAR · PANELS
GALVENİZLİ SAC
GALVANIZED SHEET

İÇ KAPLAMA · INTERIOR FINISH
BASKI MDF · PRINTED MDF

AYNA · MIRROR
SÜPER AYNA PASLANMAZ
SUPER MIRROR FINISH STAINLESS STEEL

KÜPEŞTE · HANDRAIL
KROM PASLANMAZ
CHROME STAINLESS

ZEMİN KAPLAMA · FLOORING
DESENLİ SPEK · PATTERNED SPEK

AKSESUARLAR · ACCESSORIES
AYNA PASLANMAZ
MIRROR FINISH STAINLESS STEEL

TAVAN · CEILING
CNC LAZER KESİM · CNC LASER CUTTING
SPOT AYDINLATMA · SPOT LIGHTING



16

RENKLİ CAM DESENLİ PASLANMAZ KABİN

STAINLESS CABIN WITH COLOR PATTERNED GLASS



ÜRÜN ÖZELLİKLERİ PRODUCT FEATURES



DUVARLAR · PANELS
GALVENİZLİ SAC
GALVANIZED SHEET

İÇ KAPLAMA · INTERIOR FINISH
DEKORATİF PASLANMAZ
DECORATIVE STAINLESS
RENKLİ CAM · COLORED GLASS

AYNA · MIRROR
SÜPER AYNA PASLANMAZ
SUPER MIRROR FINISH STAINLESS STEEL

KÜPEŞTE · HANDRAIL
KROM PASLANMAZ
CHROME STAINLESS

ZEMİN KAPLAMA · FLOORING
DESENLİ SPEK · PATTERNED SPEK

AKSESUARLAR · ACCESSORIES
DEKORATİF PASLANMAZ
DECORATIVE STAINLESS

TAVAN · CEILING
CNC LAZER KESİM · CNC LASER CUTTING
SPOT AYDINLATMA · SPOT LIGHTING

DOĞAL TAŞ DEKORATİF AYNA PASLANMAZ KABİN

CABIN WITH NATURAL STONE AND DECORATIVE MIRROR

17



ÜRÜN ÖZELLİKLERİ PRODUCT FEATURES



DUVARLAR · PANELS
GALVENİZLİ SAC
GALVANIZED SHEET

İÇ KAPLAMA · INTERIOR FINISH
DOĞAL TAŞ · NATURAL STONE

AYNA · MIRROR
SÜPER AYNA PASLANMAZ
SUPER MIRROR FINISH STAINLESS STEEL

KÜPEŞTE · HANDRAIL
KROM PASLANMAZ
CHROME STAINLESS

ZEMİN KAPLAMA · FLOORING
DESENLİ SPEK · PATTERNED SPEK

AKSESUARLAR · ACCESSORIES
AYNA PASLANMAZ
MIRROR FINISH STAINLESS STEEL

TAVAN · CEILING
CNC LAZER KESİM · CNC LASER CUTTING
SPOT AYDINLATMA · SPOT LIGHTING



DEKORATİF GOLD CAM BASKI KABİNİ

GOLD CABIN WITH PRINTED GLASS



ÜRÜN ÖZELLİKLERİ PRODUCT FEATURES

DUVARLAR · PANELS
GALVENİZLİ SAC
GALVANIZED SHEET

İÇ KAPLAMA · INTERIOR FINISH
BASKI CAM · PRINTED GLASS

AYNA · MIRROR
SÜPER AYNA PASLANMAZ
SUPER MIRROR FINISH STAINLESS STEEL

KÜPEŞTE · HANDRAIL
KROM PASLANMAZ
CHROME STAINLESS

ZEMİN KAPLAMA · FLOORING
DESENLİ SPEK · PATTERNED SPEK

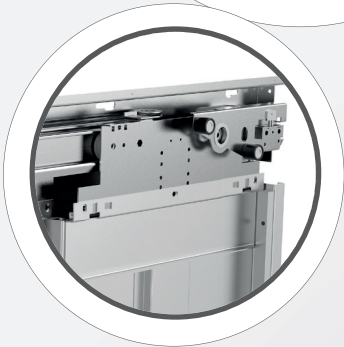
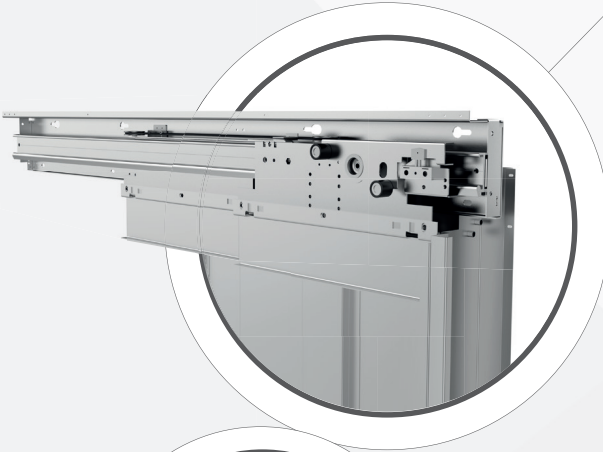
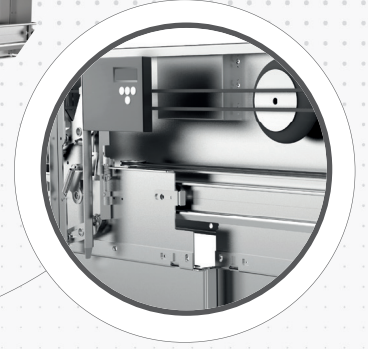
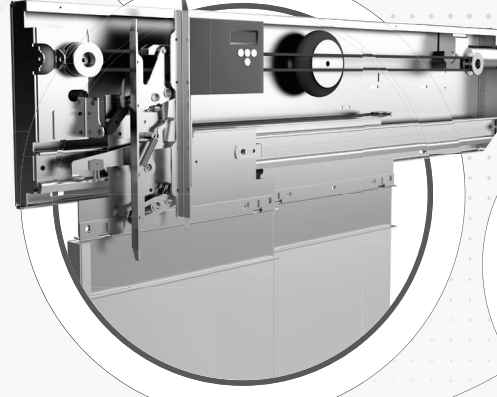
AKSESUARLAR · ACCESSORIES
DEKORATİF PASLANMAZ
DECORATIVE STAINLESS





TAVAN · CEILING
CNC LAZER KESİM · CNC LASER CUTTING
SPOT AYDINLATMA · SPOT LIGHTING

İBK OTOMATİK ASANSÖR KAPILARI

IBK AUTOMATIC ELEVATOR DOORS

19



    ibkasansormarket



İBK ASANSÖR

İNŞAAT SAN. TİC. LTD. ŞTİ.

Tel: +90 362 **266 70 36** - +90 **546 558 20 27** · Kerimbey Mah. Kanal Sk. No.7 **Tekkeköy/SAMSUN**
www.ibkasansor.com · info@ibkasansor.com